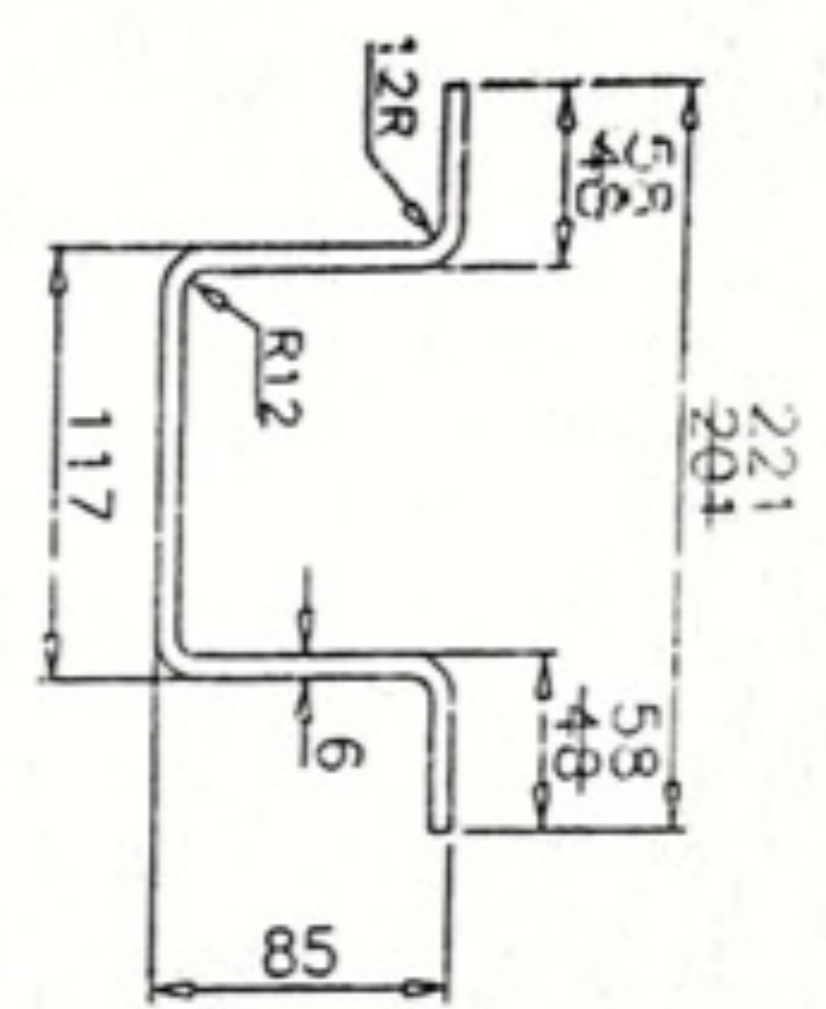
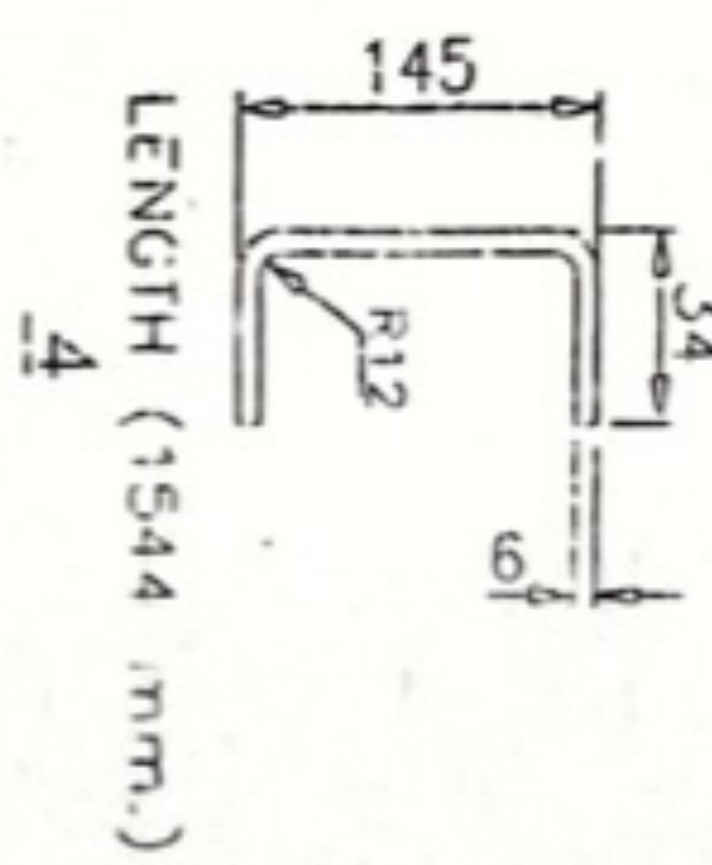
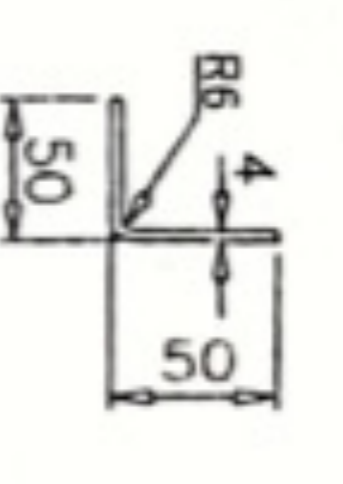
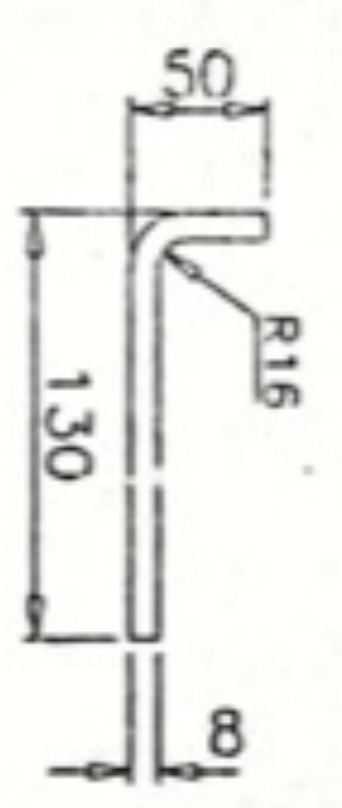
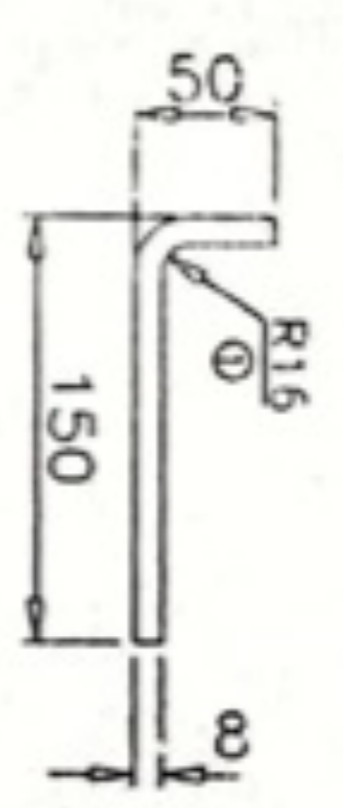
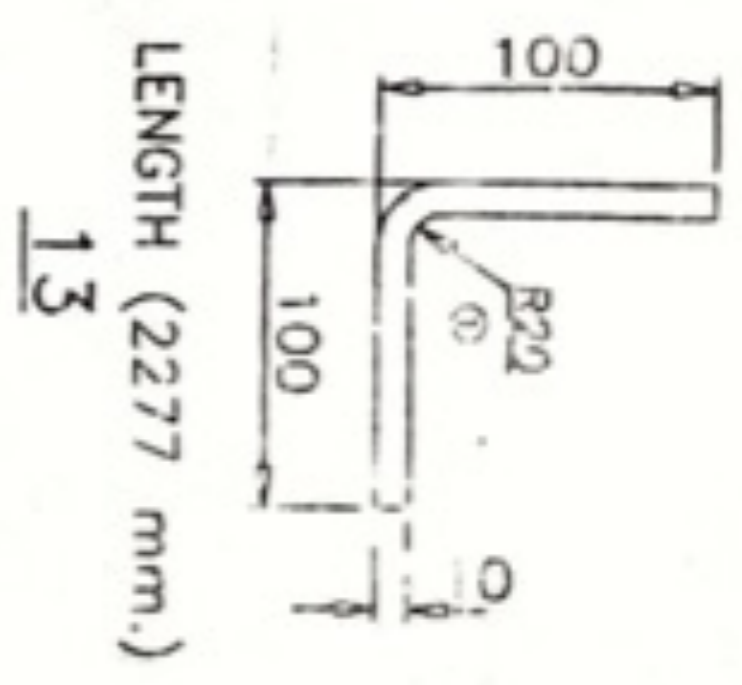
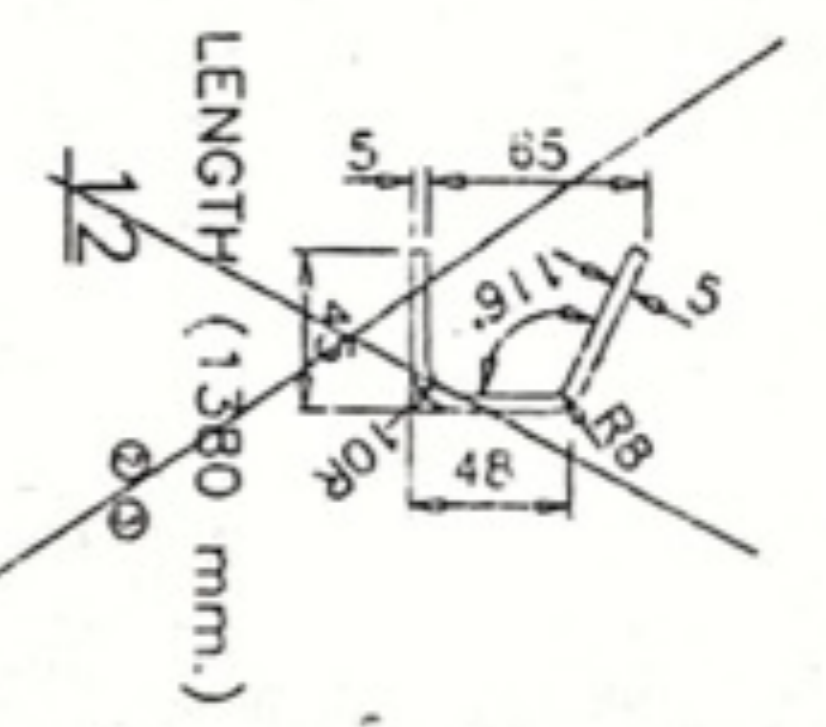
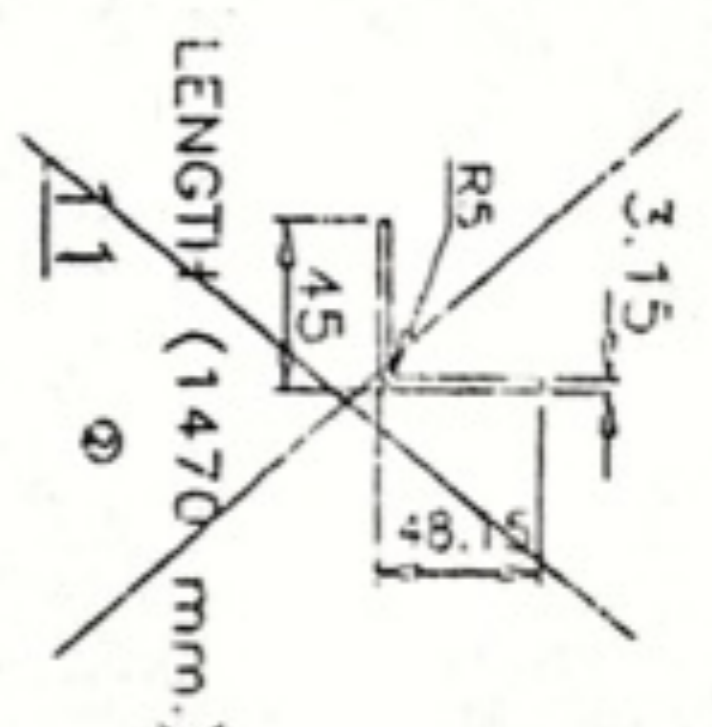
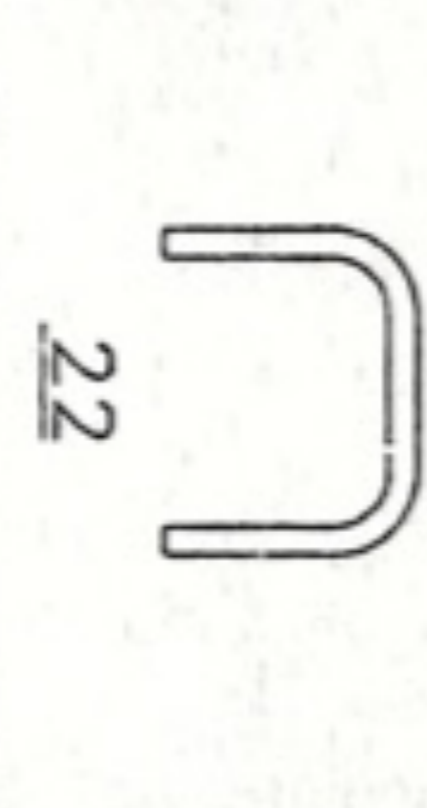
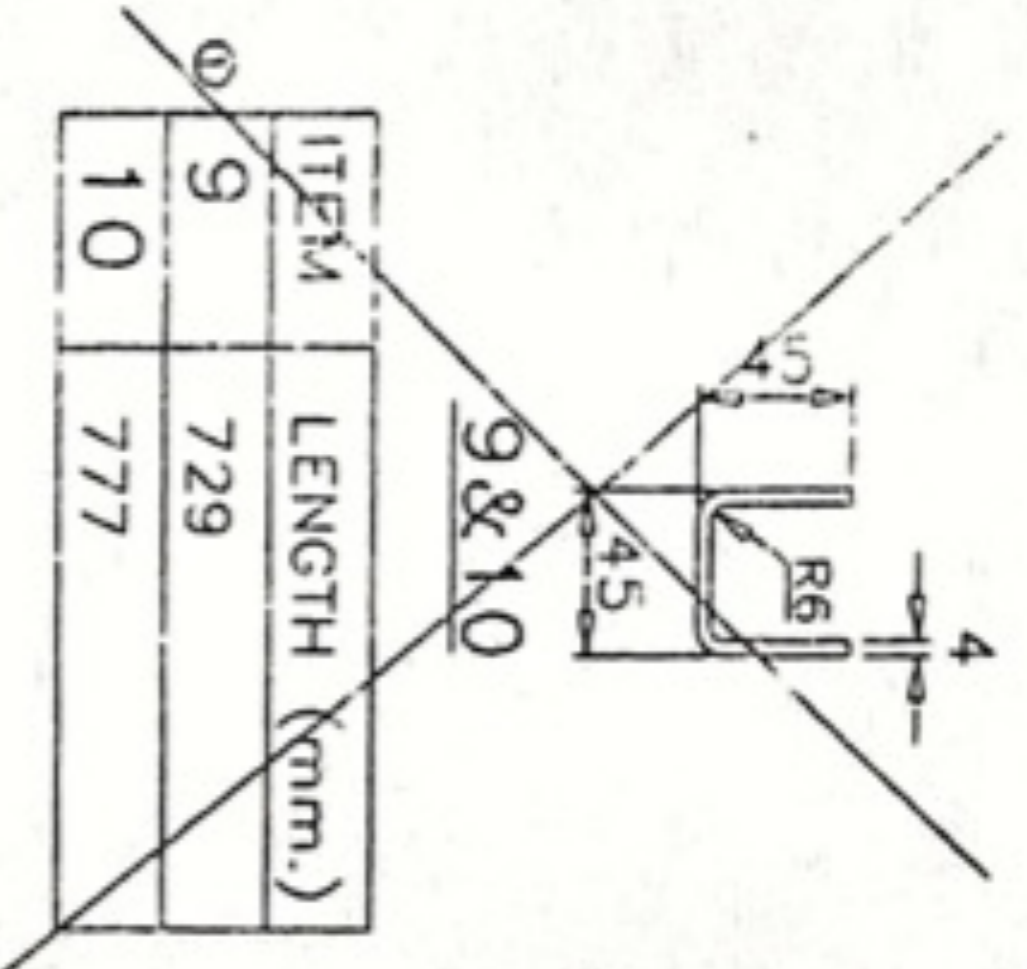


ITEM	LENGTH (mm.)
1	2990
6	2950



2, 3, 5, 7, 8A, 8B, 18, 19 & 20

ITEM	LENGTH (mm.)
2	2271
3	1132
5	814.5
7	938
8A	2960
8B	544
18	715
19	713
20	597.5



ITEM	LENGTH (mm.)
15	1655
16	3518
17	2960

TABLE OF TOLERANCES

S.No	Characteristics	1 & 6	2, 3, 5, 7, 8, 18, 19 & 20	4	9 & 10	11	12	13	14	15, 16 & 17	21
1	Flanges	100	48 ± 1.25	34 ± 1.25	—	—	—	—	—	—	—
2	Thickness	6 ± 0.30	6 ± 0.30	6 ± 0.30	3 ± 0.20	5 ± 0.20	10 ± 0.50	8 ± 0.40	4 ± 0.20	8 ± 0.40	—
3	Top width	—	—	—	—	—	—	—	—	—	—
4	Bottom width	—	117 ± 1.25	—	—	—	—	—	—	—	—
5	Height	—	85 ± 1.25	145	45 ± 1.25	45 ± 1.25	45 ± 1.25	100 ± 1.5	150 ± 1.50	50 ± 1.25	130 ± 1.5
6	Radius	± 1.5	—	—	—	—	—	—	—	—	—
7	Angle	± 1.15°	—	—	—	—	—	—	—	—	—
8	MOVING	2 MAX	—	—	—	—	—	—	—	—	—
9	Size	1 in 600	—	—	—	—	—	—	—	—	—
10	Carrier	500	—	—	—	—	—	—	—	—	—
11	Twist	1 deg/metre	—	—	—	—	—	—	—	—	—

LENGTH TOLERANCES

UP TO 2 m.	± 1.0 mm.
Above 2 m. TO 6 m.	+3.0 mm. -1.0 mm.
Above 6 m. TO 10 m.	+4.0 mm. -1.0 mm.
Above 10 m. TO 15 m.	+4.0 mm. -2.0 mm.

- ALL DIMENSIONS ARE IN MM. UNLESS OTHERWISE MENTIONED.
- ITEM NO. 1, 2, 3, 5, 6, 7, 8A, 8B, 11, 16, 19 & 20 TO BE MADE OF CR SECTION ONLY.
- ITEM NO. 4, 9, 11, 12, 14, 15, 18, 17 & 21 CAN BE MADE BY PRESS (PRESSING SECTION).
- CRF SECTIONS SHOULD BE AS PER ROSSO SPECIFICATION NO. MO-01-01-01 WITH LATEST REVISION/AMENDMENT.

NO.	REVISION	DATE	BY	CHKD.
1	ISSUED FOR APPROVAL			
2	ISSUED FOR APPROVAL			
3	ISSUED FOR APPROVAL			
4	ISSUED FOR APPROVAL			
5	ISSUED FOR APPROVAL			
6	ISSUED FOR APPROVAL			
7	ISSUED FOR APPROVAL			
8	ISSUED FOR APPROVAL			
9	ISSUED FOR APPROVAL			
10	ISSUED FOR APPROVAL			
11	ISSUED FOR APPROVAL			
12	ISSUED FOR APPROVAL			
13	ISSUED FOR APPROVAL			
14	ISSUED FOR APPROVAL			
15	ISSUED FOR APPROVAL			
16	ISSUED FOR APPROVAL			
17	ISSUED FOR APPROVAL			
18	ISSUED FOR APPROVAL			
19	ISSUED FOR APPROVAL			
20	ISSUED FOR APPROVAL			
21	ISSUED FOR APPROVAL			
22	ISSUED FOR APPROVAL			

ITEM	DESCRIPTIONS	QTY	UNIT	REMARKS
22	(a) DOOR FRAME (HORIZ)	8	PCS	
22	(b) DOOR FRAME (VERTICAL)	8	PCS	
22	(c) DOOR FRAME (CENTER)	4	PCS	
21	PACKING COVER PLATE	8	PCS	
20	END STANCHION TOP	4	PCS	
19	SIDE MIDDLE COPING (CENTER)	4	PCS	
18	DOOR SIDE MIDDLE COPING	4	PCS	
17	END CRIB ANGLE	2	PCS	
16	SIDE CRIB ANGLE (INNER)	2	PCS	
15	SIDE CRIB ANGLE (OUTER)	4	PCS	
14	COVER PLATE	4	PCS	
13	CORNER STANCHION	4	PCS	
12	DOOR FRAME BOTTOM	4	PCS	
11	DOOR FRAME TOP	4	PCS	
10	DOOR FRAME SIDE	4	PCS	
9	DOOR FRAME WELD	4	PCS	
8	END STANCHION WELD	4	PCS	
7	END STANCHION BOTTOM	4	PCS	
6	END TOP COPING	2	PCS	
5	SIDE END WELD COPING	4	PCS	
4	DOOR WELD COPING	4	PCS	
3	DOOR WELD COPING	4	PCS	
2	DOOR SIDE STANCHION	4	PCS	
1	SIDE TOP COPING	2	PCS	

COLD ROLLED FORMED SECTION